



EXTON VILLAGE  
Update July 2020.doc



# EXTON VILLAGE NEWSLETTER OCTOBER 2020 186

**COVID 19** has impacted on all our lives and the changes to the law issued recently around socialising will affect us all. However we should not forget this has come about through disregard by some to take social distancing and mask wearing seriously. Cases of the virus continue to arise throughout Rutland and elsewhere. Unfortunately with so much Government 'advice' and now 'laws' to control the situation and the virus, many are confused as to what they may or may not do safely.

Owners, licensees of premises, etc are finding it quite difficult to pass on the right information, trying to do the best for everybody but keeping within the law as it is the owners of the facility that will be paying the fines!


So please be patient when things you think you should be able to do cannot be permitted as logistically it is too complicated or not cost effective.

May I remind you of the need to get flu vaccines? Having said that and tried myself I know there seems to be a shortage. The Oakham surgery could not help me until the latter part of November when I rang in September, Boots is another option though and other chemists locally.



**FOR SALE**

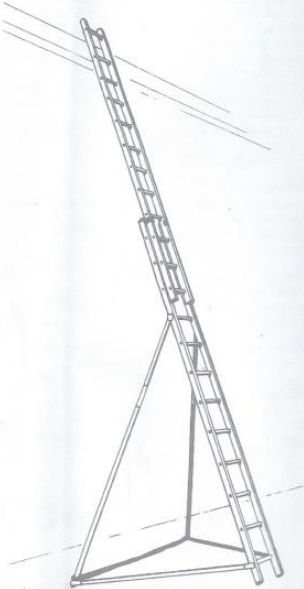
**ANKALAD LADDER STABILISER**  
**NEVER USED - STILL IN BOX. £99 ono.**



**ANKALAD™**

# LADDER STABILISER

INSTRUCTIONS FOR USE AND ASSEMBLY

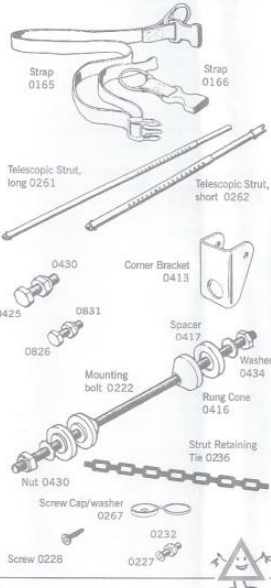


**IMPORTANT  
RETAIN FOR FUTURE  
REFERENCE**


### CONTENTS

- 0155 x 1 Restraining strap, long
- 0166 x 1 Restraining strap, short
- 0222 x 2 Mounting bolt M8
- 0227 x 2 Tie set screw M4
- 0228 x 2 Self tapping screw No.8
- 0232 x 2 Nut M4
- 0236 x 2 Retaining Tie
- 0261 x 2 Telescopic strut assembly, long
- 0262 x 2 Telescopic strut assembly, short
- 0267 x 2 Screw Cap/washer
- 0413 x 4 Corner bracket
- 0416 x 4 Rung cone
- 0417 x 4 Spacer
- 0425 x 8 (4 x Telescopic strut mounting bolt) M8 x 50mm  
(4 x Optional style mounting bolt) M8 x 50mm
- 0430 x 8 Nut, M8
- 0434 x 4 Washer, M8
- 0826 x 2 Strut joint bolt M6 x 40mm
- 0831 x 2 Strut Joint nut M6

**Note:**This kit is designed to suit a variety of ladders (see Section 3 Assembly) you will have some fixings surplus.



- Strap 0165
- Strap 0166
- Telescopic Strut, long 0261
- Telescopic Strut, short 0262
- 0430
- 0425
- 0831
- 0826
- Corner Bracket 0413
- Spacer 0417
- Washer 0434
- Mounting bolt 0222
- Rung Cone 0416
- Strut Retaining Tie 0236
- Nut 0430
- Screw Cap/washer 0267
- 0232
- Screw 0228
- 0227



**Contact - Patricia 813118**



- I am an enthusiastic and innovative teacher with 16 years of experience.
- As a Primary teacher I tutor both Maths and English from Key Stage 1 to Key Stage 2.
- I use imaginative and interactive teaching resources to engage the learner.
- I am experienced in teaching children with special educational needs.
- Due to the current Covid pandemic I am currently only offering tuition online.

***Please call 07960128235 if you are interested***



### **'T' for Tuesday**

Many thanks to Sally, Lesley and Marion for the lovely homemade goodies provided for the delivery of afternoon tea to our 30+ regulars in August.

There will be another home delivery on the **Tuesday 20<sup>th</sup> October**. From 2.30pm onwards. If you are likely to be out please give me a call to arrange a delivery time.

Look forward to seeing you then!

***Bernadette - 01572812956/07858484918***



## **EXTON PLAYPARK**

The new equipment for the playpark was installed during the last week of September.

The Parish Council hope the youngsters enjoy the new Eco Trail and the spring rocker. There is also a comfy seat in durable material for the mothers to oversee the little ones.



Mick Bell has been invited by the Parish Council to do the honours cutting the ribbon to celebrate the arrival of the new items Thursday 11 am 1<sup>st</sup> October. Mick was a founding member of the organisation PAGE that set up the playpark and won the lottery grant to fund it. It seemed very fitting he should be the one to celebrate a second smaller grant from the Healthy Grant for Rutland Fund.

We hope this opportunity to play on something new and different, plus the revamped skateboard ramp will encourage parents and youngsters to try and do some fund raising for future spends. The Parish Council is keen to hear from any groups prepared to work towards more improvements. This could of course also include items for Adult exercise.



**SPINNEY:** Derek Palmer has generously donated his gift voucher from the Parish Council for his long and valuable service to the parish to purchase a wide selection of bulbs for the Spinney. These range from tiny snowdrops to daffodils, tulips, etc. Daughter Lorraine will help Cllr David Healey plant them. Lady Juliana has also sent a load of mixed bulbs obtained from her

gardening supplier in response to our plea for support. Grateful thanks to both and for others who have previously donated.

The two benches donated by the Heckels family and the 'T For Tuesday' group have arrived and David will soon have them on site. This addition to the area will allow anyone out for a stroll the chance to rest their legs and admire the scenery.

The Spinney has gone from looking unkempt and uncared for to an amenity the village can be proud of.



### **Operation Christmas Child Shoe Box Appeal Love Isn't In Lockdown**

We are living through very strange times but Operation Christmas Child is still running this campaign and feels that it is probably more important than ever that we can "Give A Child A Reason To Smile In A Time Of Crisis". If you would like to take part please pick up a leaflet from the porch of either Cottesmore or Greetham churches or contact me. If you have not taken part before and would like more information then again please contact me. Completed boxes will need to be with me by Sunday 8th November at the very latest and as our churches are not open at present it is not possible to leave boxes there but they can be delivered to me or I will collect if you contact me. If there are any knitters out there then I have a pattern for a "beanie" hat, an item we like to include in every box. *Patricia Hagger - 01572 813118- 3 New Field Road*



### **VILLAGE HALL COVID 19 UPDATE**

Following the PM's announcements on 22 September I thought a quick update would be useful. As things stand at the moment and as far as I can tell the current planned activities are still permitted and will be continuing, unless of course a further tightening is announced. So we continue with the exercise classes, yoga, music rehearsals and the planned start of Brownies and Model Club meetings. All of these are subject to stringent written conditions including minimum 2m spacing, no mingling, mask wearing, pre- and post-session sanitising, track and trace information and limited numbers. If a similar

agreement can be reached with the Bowls Club we may resume that activity too. We will not take on any new activities or ad hoc bookings. I think we all know now that we are in this for the duration and are likely to see more constraints imposed as the autumn progresses, which I will communicate as and when they occur.

However looking forward to the time when we CAN resume new activities I'm pleased to say that the installation of full fibre broadband is going ahead, which will give us internet access at speeds in excess of 120MB/sec. Something to look forward to, and find a use for! STAY SAFE! .....

*Mark Butterill, Chairman Village Hall*



**FOX AND HOUNDS - Pub opening hours:**

**Wednesday - Thursday - Friday**

12pm - 3pm

(Kitchen's last orders @ 2.30pm)

6.00pm - 10pm

(Kitchen's last orders @ 8.30pm)

**Saturday** 12pm - 10pm

(Kitchen closes from 4pm - 6pm)

**Sunday** 12pm - 6pm

The above hours are our winter opening hours. Please be advised that the 10pm close is due to recent Government enforcement.

Look out for future plans from Simon and Christina  
in forthcoming Newsletters



**Exton and Greetham CE Primary School**  
*Serving the communities of Greetham and Exton*

## **Back to school!!**

It has been lovely to welcome all of the children back to school this September.

We are all adapting to our new routines well – staggered starts and finishes, working in zones and lots of hand washing, as well as getting back to some learning.



This term sees a return to focussing on the skills of independent learning – or the 6 Rs as they are known in our school. These allow the children to develop their skills in being Ready to learn; Resilient when things get tricky; Resourceful in finding new ways of doing things; Reflective about the way they do things; Respectful of each other; and Responsible in all that they do. In developing all of these skills of learning, the children are able to tackle new learning and new situations with renewed confidence.

Parents of children in their last year of nursery will soon be thinking about primary school places for next September. We are unable to show people around school at the moment during the school day; but if you would like to find out more about the school, the website is a good place to start – [www.extonschool.co.uk](http://www.extonschool.co.uk). We are hoping to have a 'virtual tour' available on the website soon. We are also happy to chat to prospective parents on the phone on 01572 812380 should you have any specific queries.

## CONTACT INFORMATION .....



Organisation	Contact	Tele	
Village Hall Chair	Mark Butterill	813652	<a href="mailto:markbutterill@gmail.com">markbutterill@gmail.com</a>
Village Hall Secretary	Joy McNally	811183	
Village Hall Bookings	Mark Butterill	813652	<a href="mailto:markbutterill@gmail.com">markbutterill@gmail.com</a>
Rutland County Councillor [Exton & Horn Ward]	June Fox	01780 461133	<a href="mailto:jfox@rutland.gov.uk">jfox@rutland.gov.uk</a>
Parish Council Chairman	John Pitts	812093	<a href="mailto:johncpitts@idnet.com">johncpitts@idnet.com</a>
Parish Council Clerk	Helen Duckering	01572 759554	<a href="mailto:clerk@exton.org">clerk@exton.org</a>
Exton Defibrillator Co-ordinator	Bernadette Wallace	01572 812956 07858484918	<a href="mailto:bernie.wallace@btinternet.com">bernie.wallace@btinternet.com</a>
Exton Village website	Paul Taylor	<a href="http://www.exton.org">www.exton.org</a>	<a href="mailto:paul.taylor282@outlook.com">paul.taylor282@outlook.com</a>
RC Priest Oakham Presbytery	Father Stephen Dye	722308	
Parish Church Rector	Anthony Oram	812948	<a href="mailto:revanthonyoram@gmail.com">revanthonyoram@gmail.com</a>
St Peter & St Paul Churchwarden	Sally Miller	811411	<a href="mailto:sallyrm24@gmail.com">sallyrm24@gmail.com</a>
Fox & Hounds		812403	
Reading Room	Susan Ware Meggie Kroeger	812825 812509	<a href="mailto:s.p.ware@btinternet.com">s.p.ware@btinternet.com</a> <a href="mailto:kroegermeggie@gmail.com">kroegermeggie@gmail.com</a>
Taxi	Lee Secker	07742815446	
Pest Control	Ziggy	07973954552	
Playpark Warden	Jonathan	812153	
Newsletter -	Dan Howison	812511	Main distributor
Newsletter	Annette Oliver	812233	Editor

### PARISH CLERK

**Please note Helen Duckering from Langham is the new Parish Clerk for Exton and Horn as from 1<sup>st</sup> October  
Welcome Helen!**





## **ST PETER & ST PAUL'S PARISH CHURCH, Exton**

### **October Services**

- 4<sup>th</sup> 10.30am Harvest Festival at Exton
- 11<sup>th</sup> 9.30am Morning service at Cottesmore
- 18<sup>th</sup> 9.30am Morning service at Greetham
- 25<sup>th</sup> 9.30am Morning service at Cottesmore

We will be asking for donations to the Oakham Food Bank for our Harvest gifts. If you are unable to come to the service, please leave contributions in the church porch. The following items are needed: coffee, dried potato, jam, small bags of sugar, tinned potatoes, small sponge puddings, UHT juice, tins of custard, shaving gel, washing up liquid, non-bio washing capsules, toilet rolls.

Face masks will need to be worn for all the services and social distancing will be in place. If you are planning to attend any of the services please inform the Benefice office at [cottesmorebenefice.office@gmail.com](mailto:cottesmorebenefice.office@gmail.com) or on 497003. If you prefer, for the Exton service only, you can let me know and I will pass on the message.

### **Exton church will remain closed during the week.**

Could I please ask that if you are attending the churchyard to tend to a grave and you need water that you first check the water butt as the water from the tap on the outbuilding is now metered.

General queries can be directed to the [cottesmorebenefice.office@gmail.com](mailto:cottesmorebenefice.office@gmail.com) or to me at [sallyrm24@gmail.com](mailto:sallyrm24@gmail.com) or on 811411. *Sally Miller, Churchwarden*



## **ST THOMAS OF CANTERBURY unfortunately remains closed**



## HALOWEEN AND FIREWORKS

The new Covid regulations will make celebrating somewhat limited however if you do plan a firework party for haloween – please let your neighbours know in advance as some households with pets may wish to make arrangements to shelter them from the noise if it causes them upset. The usual Cottesmore Bonfire night has been cancelled.



**LOCAL RADIO – Rob Persani** will be missed on Local Radio by his many fans. He has attended many functions in the area and often mentioned persons and events in Exton on his programme



Have you noticed during the Covid 19 lockdown and since, all the nostalgic pics on Facebook? Do you remember when? Childhood games and items from shops? Brought back a lot of happy memories for many.



**Remember - Clocks back an hour October 25<sup>th</sup>!!**



Newsletter

**Thanks to the School for printing the Newsletter** and those of you who have distributed the hard copy. Contributions for October Newsletter

**no later than 22<sup>nd</sup> October**

to 20 Stamford Road or [annetteoliver63@gmail.com](mailto:annetteoliver63@gmail.com)

*Residents not already receiving the email version of the Newsletter should contact the Editor to give their permission for use of their email address*

